

SL18UP - COB Module 18 up - 1000 lm

Features and Benefits



600.000 colors (X,Y)
within the useable color space



Tunable powerful white
over BBL 1.800 – 10.000K



Dim to Warm capability



CRI 90+
over 2.700 to 6.500K



100 lm/W+
On selective color range



Full human centric lighting



Programmable scenes
Retail scenes and fresh food lighting



SKU count reduction



Retail



Hospitality

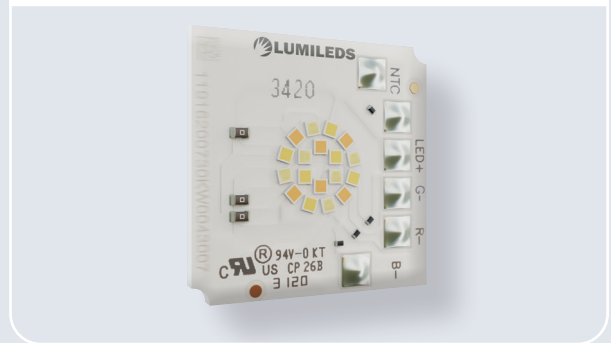


Musea



Healthcare

COB Module 18 up - 1000 lm



Fusion Light Engines

Fusion Light Engines are LED modules to create dynamic powerful lighting. Achieve powerful and easy changeable CCT lighting by combining high end phosphor converted LED's surrounding a triangle color space in which every CCT / color point can be compiled. Light sources can

Circular Light Engines

Use the Circular Light Engines for example for spots and downlights. There are a number of options available depending on the required luman package: 18 up (1000 lm), 27 up (1500 lm) and 33 up (3000 lm).

Ordering data

Commercial product name	COB Module 18up
Part Nr.	SL18UP
Box Quantity	315

Characteristics and absolute ratings

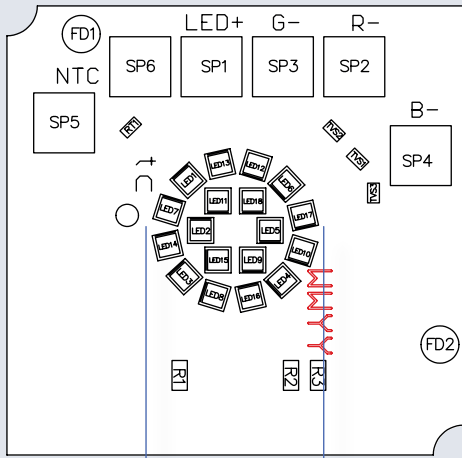
Performance spec	Unit	Min	Typical	Max
DC forward current	mA		360	500
Forward Voltage	Vf	15.9	16.8	18.0
Module temperature	°C			85

Product performance SL 18 up @ 360 mA, Tv = 85°C

Color setting	Color coordinate		CRI	R9	Flux	Power	Efficacy
CCT on BBL	X	Y			Lumens	Watt	LM/W
2700K - 4000K Typical product performance					1100	12.0	91
2200K	0.5018	0.4153	< 90	31	730	9.4	78
2500K	0.476	0.4137	91	41	890	10.8	82
2700K	0.4597	0.4106	92	45	1020	11.9	86
3000K	0.4369	0.4041	93	50	1110	12.4	90
4000K	0.3818	0.3797	93	53	1160	11.8	98
5000K	0.34447	0.3553	91	47	1310	12.8	102
6500K	0.3123	0.3282	90	45	1270	12.1	105
10000K	0.278	0.288	89	50	860	8.4	102

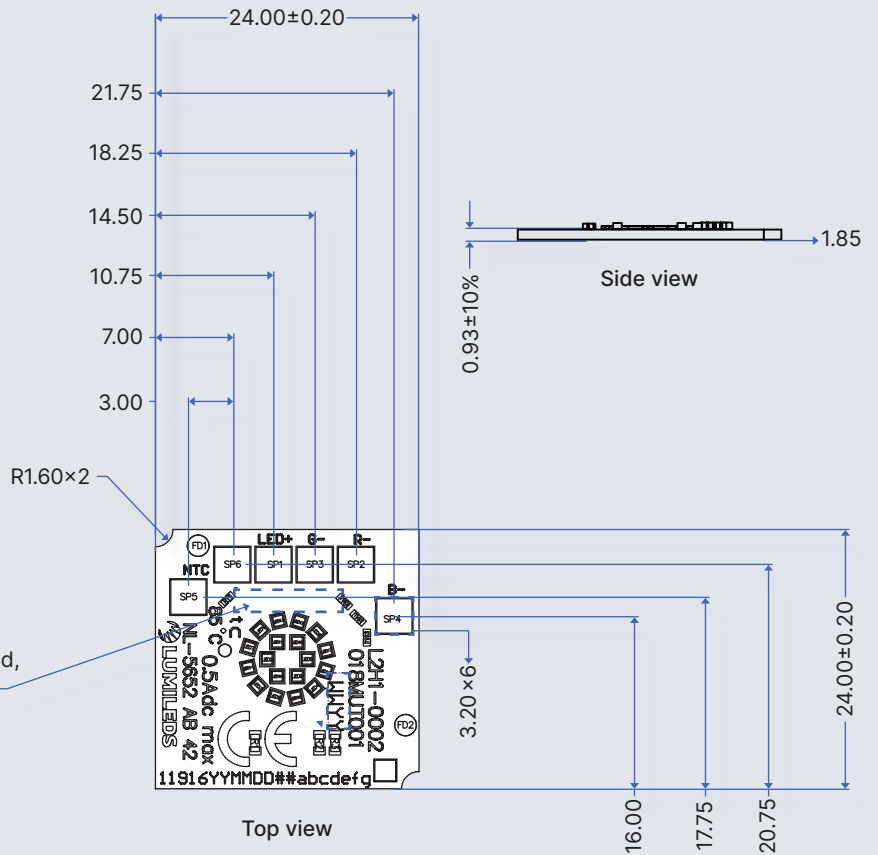
* Measurement precision for flux +/- 5% Measurement precision for efficacy +/- 6% Measurement precision for x,y +/- 0.005
Measurement precision for CRI 1.5

Technical drawings



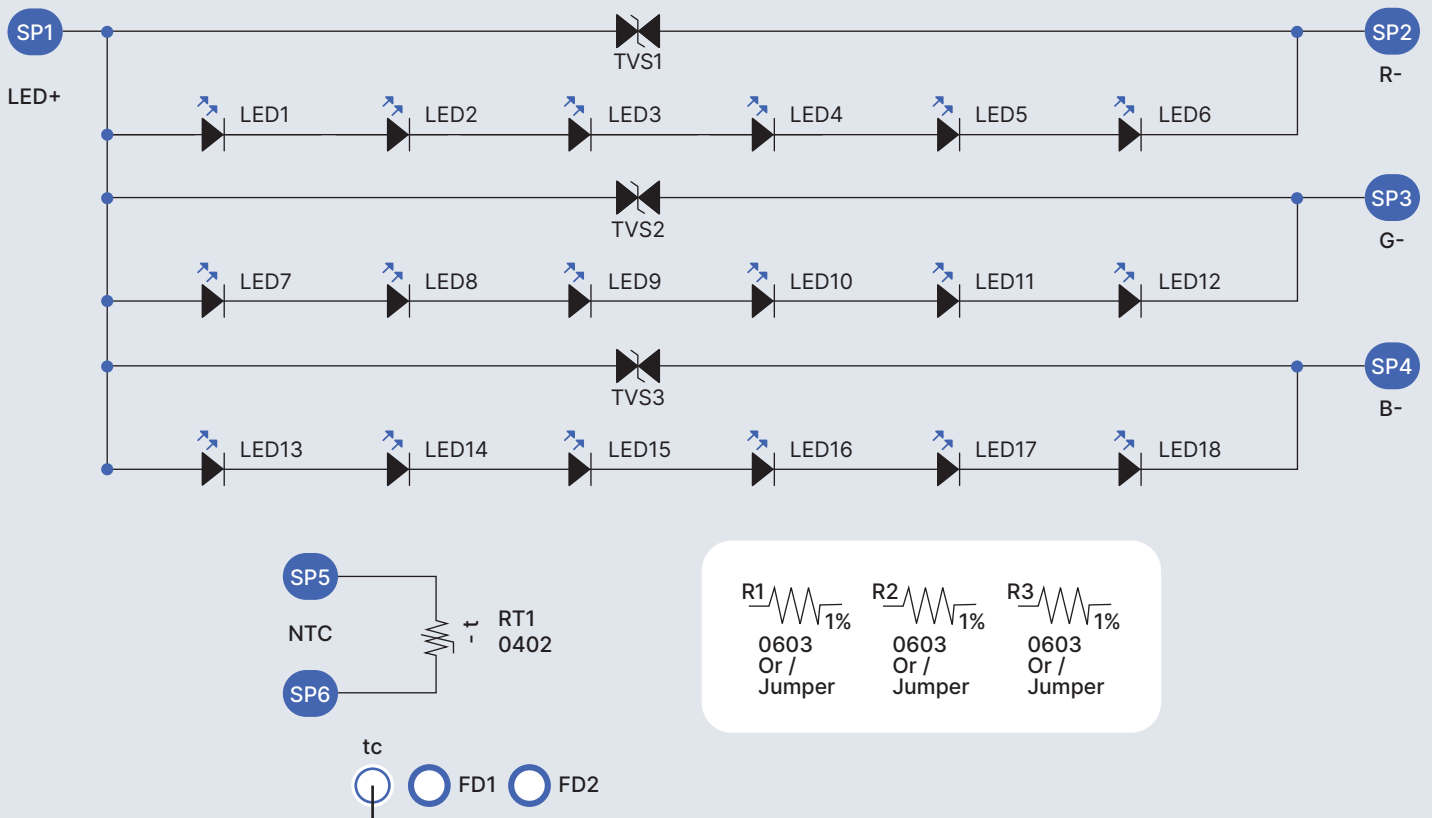
LES (lighting emitting surface)
9 mm in diameter

PCB UL logo with Canada & US certified,
material type, flammability class &
Fabrication Datecode.



* Drawings are not to scale;
All dimensions are in millimeter.

Electrical circuit diagram SL 18 up



Bill of material for SL 18 up

Item	Description	QTY	DES REF#
1	LUXEON Fusion CSP RED	6	LED1-LED6
2	LUXEON Fusion CSP GREEN	6	LED7-LED12
3	LUXEON Fusion CSP BLUE	6	LED13-LED18
4	RES. 0 OHM, 0603	3	R1-R3
5	TVS, 0402	3	TVS1-TVS3
6	NTC, 0402	1	RT1
7	YELLOW 22AWG UL1007	1	
8	RED 22AWG UL1007	1	
9	GREEN 22AWG UL1007	1	
10	BLUE 22AWG UL1007	1	
11	BLACK 22AWG UL1007	2	

Wire color	Connected pad	Wire length
Yellow	SP1 (LED+0)	300 mm
Red	SP2 (R-)	300 mm
Green	SP3 (G-)	300 mm
Blue	SP4 (B-)	300 mm
Black	SP5 & SP6 (NTC)	300 mm

About Summa Systems

Our goal is to give people the ability to define how their spaces are illuminated, by choosing the color of the light from the color space, by choosing the intensity of the light, and by choosing how the light changes over time for color, intensity, and spectrum. Our goal is to deliver High Fidelity Lighting.

With the power to choose the light, environments can feel more natural, healthier, comfortable, calming, energizing, and engaging. Our mission is to empower the lighting community with High Fidelity Lighting – lighting that excites the imagination, that senses and adapts, and redefines what's possible.